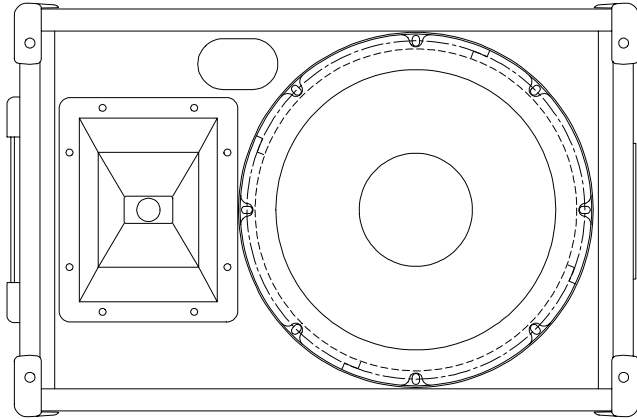


Force® Monitor



- 12-inch two-way high-output stage system
- 150-watts continuous, 600-watts short-term power handling
- 80° x 55° Constant-directivity CD horn
- Super low profile cabinet design
- Usable monitor angles of 50° and 65°
- Integral 1 3/8-inch stand mount
- Choice of paralleled 1/4-inch or Neutrik Speakon® (-E) connectors

Description

The Electro-Voice Force® Monitor is a high-peak output, high-efficiency super low profile two-way floor monitor. The Force® Monitor features a constant directivity 80° x 55° horn in a vertical orientation that provides usable monitor angles of 50° and 65°. The combined professional quality manufactured components arrange in a horizontal array with a very durable and road worthy light weight enclosure. The result is a very high performance system with excellent vocal reproduction and bass response that is surprising from such a small enclosure.

The Force® Monitor enclosure has a unique design that presents a very minimal front cross section along with an extremely low profile. A top mounted strap handle allows for comfortable one handed transportation. The design is light weight, but very rugged and features a heavy metal grill and highly stylized corner protection.

The Force® Monitor also features a stand mount adapter on the woofer side for vertical orientation (standard 1 3/8 diameter.)

Power-Handling Capacity

Electro-Voice components and systems are manufactured to exacting standards, ensuring they will hold up, not only through the most rigorous of power tests, but also through continued use in arduous, real-life conditions. The EIA Loudspeaker Power Rating Full Range (ANSI/EIA RS-426-A 1980) uses a noise spectrum which mimics typical music and tests the thermal and mechanical capabilities of the components. Electro-Voice will support relevant additional standards as and when they become available. Extreme, in-house power tests, which push the performance boundaries of the woofers, are also performed and passed to ensure years of trouble-free service.

Specifically, the Eliminator Monitor passes ANSI/EIA RS-426-A 1980 with the following values:

$$R_{SR} = 6.55 \text{ ohms (1.15 x } R_E)$$

$$P_{E(MAX)} = 150 \text{ watts}$$

$$\text{Test voltage} = 31.34 \text{ volts rms,}$$

$$138.00 \text{ volts peak (+6dB)}$$

The “peak” power-handling capacity of a woofer is determined by the peak test volt-

age amount. For the Eliminator Monitor, a 138.00-volt-peak-test voltage translates into 600-watts short-term peak power-handling capacity. This is the equivalent of four times the “average” power-handling capacity, and is a peak that can be sustained for only a few milliseconds. However, this sort of short duration peak is very typical in speech and music. Provided the amplifier can reproduce the signal accurately, without clipping, the woofer will also perform accurately and reliably, even at these levels.

Amplifier Recommendations

The power-handling rating of the Force® Monitor is 150-watts continuous. The specific tests used employ a crest factor (ratio of peak energy to continuous energy) of at least 6 dB. During extended testing, the Force® Monitor is routinely subjected to peak levels far in excess of its continuous rating of 150 watts. Many amplifier designs are capable of producing peak power levels in excess of their ratings as well, so exact “pairing” of loudspeaker rating and amplifier ratings is not necessary. Amplifier continuous ratings of 150 watts to 300 watts into 8 ohms are suggested. Larger amplifier ratings are recommended for maxi-

mum dynamic range, but it should be recommended that amplifier continuous levels (as opposed to peak levels) be within the range quoted for the Force® Monitor long-term average power-handling rating.

Uniform Limited Warranty

Electro-Voice products are guaranteed against malfunction due to defects in materials or workmanship for a specified period, as noted in the individual product-line statement(s) below, or in the individual product data sheet or owner's manual, beginning with the date of original purchase. If such malfunction occurs during the specified period, the product will be repaired or replaced (at our option) without charge. The product will be returned to the customer prepaid. **Exclusions and Limitations:** The Limited Warranty does not apply to: (a) exterior finish or appearance; (b) certain specific items described in the individual product-line statement(s) below, or in the individual product data sheet or owner's manual; (c) malfunction resulting from use or operation of the product other than as specified in the product data sheet or owner's manual; (d) malfunction result-

ing from misuse or abuse of the product; or (e) malfunction occurring at any time after repairs have been made to the product by anyone other than Electro-Voice Service or any of its authorized service representatives. **Obtaining Warranty Service:** To obtain warranty service, a customer must deliver the product, prepaid, to Electro-Voice Service or any of its authorized service representatives together with proof of purchase of the product in the form of a bill of sale or receipted invoice. A list of authorized service representatives is available from Electro-Voice Service at 600 Cecil Street, Buchanan, MI 49107 (800/234-6831 or FAX 616/695-4743). **Incidental and Consequential Damages Excluded:** Product repair or replacement and return to the customer are the only remedies provided to the customer. Electro-Voice shall not be liable for any incidental or consequential damages including, without limitation, injury to persons or property or loss of use. Some states do not allow the exclusion or limitation of incidental or consequential damages so the above limitation or exclusion may not apply to you. **Other Rights:** This warranty gives

you specific legal rights, and you may also have other rights which vary from state to state.

Electro-Voice Speakers and Speaker Systems are guaranteed against malfunction due to defects in materials or workmanship for a period of five (5) years from the date of original purchase. The Limited Warranty does not apply to burned voice coils or malfunctions such as cone and/or coil damage resulting from improperly designed enclosures. Electro-Voice active electronics associated with the speaker systems are guaranteed for three (3) years from the date of original purchase. Additional details are included in the Uniform Limited Warranty statement.

For warranty repair, service information, or a listing of the repair facilities nearest you, contact the service repair department at: 616/695-6831 or 800/685-2606.

For technical assistance, contact Technical Support at 800/234-6831 or 616/695-6831, M-F, 8:00 a.m. to 5:00 p.m. Eastern Standard time.

Specifications subject to change without notice.

Figure 1—Frequency
Normalized to 1 watt/1meter.

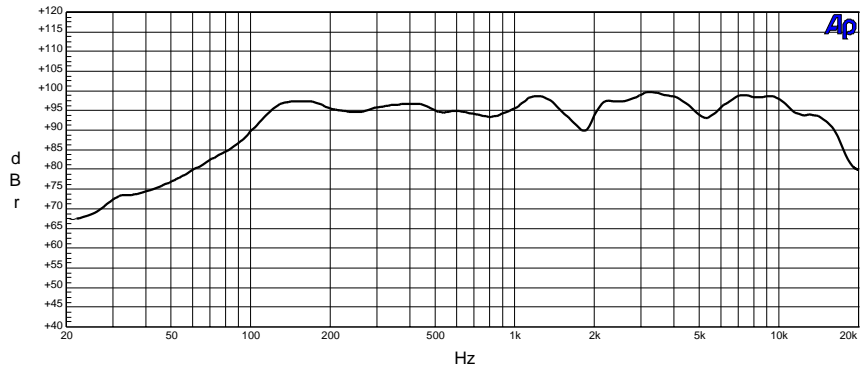
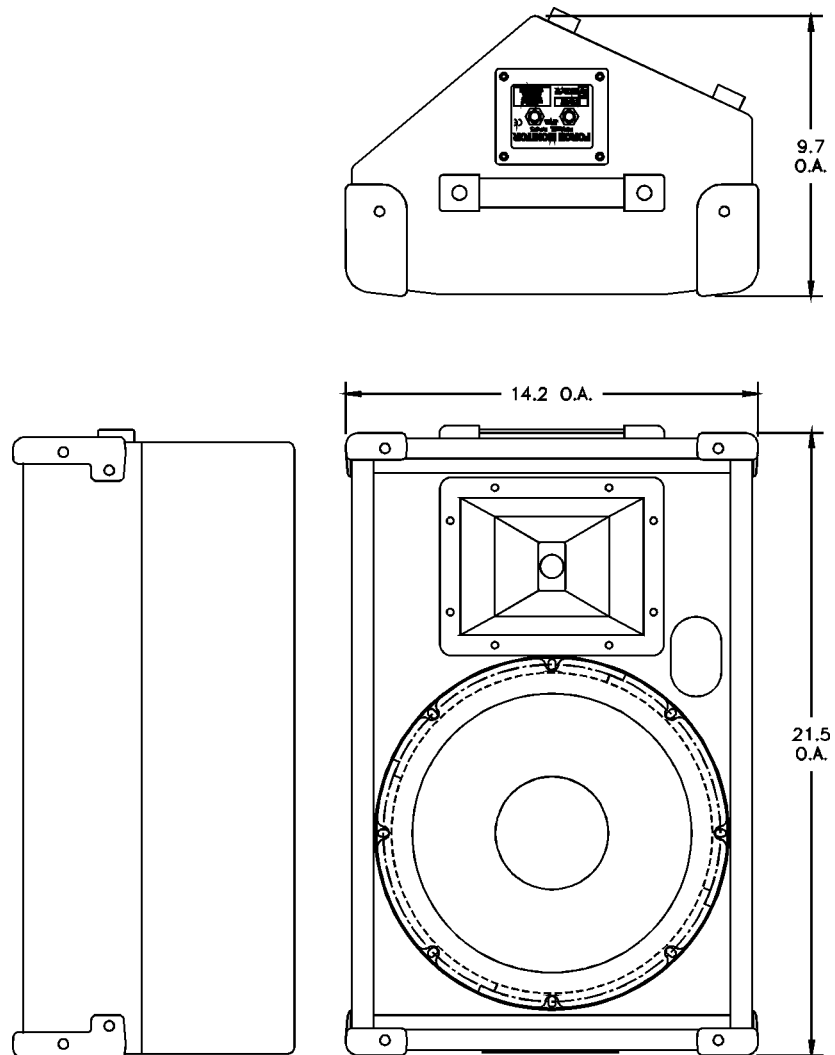


Figure 2—Dimension



Force® Monitor

Specifications

Frequency Response, Measured at 10 feet on axis (normalized to 1 watt/1 meter):

90 Hz-16 kHz

Long-Term Average Power Handling, EIA Standard RS-426-A:

150 watts

Sound Pressure level, 1 w/1 m:

96 dB

Dispersion Angle Included by 6-dB-Down Points on Polar Responses, Indicate One-Third-Octave Bands of Pink Noise,

2,500-20,000 Hz, Horizontal:

80°

2,500-20,000 Hz, Vertical:

55°

Enclosure Tuning:

60 Hz

Crossover frequency:

3800 Hz

Impedance:

Nominal 8 ohms

Minimum 6.4 ohms

Input connectors:

Parallel 1/4-inch phone jacks

Parallel Neutrik model NL4MP

(E-version only)

Dimensions,

Height:

54.6 cm (21.5 in.)

Wide:

36.1 cm (14.2 in.)

Depth:

24.6 cm (9.7 in.)

Net Weight

12.7 kg (28.0 lbs)

Shipping Weight

15.0 kg (33.0 lbs.)

Supporting Products

100BK speaker stand

Force® Monitor

Electro-Voice®

600 Cecil Street, Buchanan, MI 49107

616/695-6831, 616/695-1304 Fax