

3-Way Cinema System

Variplex™ II
**Tri-Amplified or Bi-Amplified
 Variplex 3-Way High-Power
 Screen Channel Speaker**



Key Features:

- **3-Way Design for Intelligibility, Clarity and Extended Dynamic Range**
- **Asymmetric Directed Coverage™ Technology for even coverage and simple installation**
- **Very Linear Frequency Response**
- **Digital Dynamic Capable™, wide dynamic range**
- **Compact and Fully assembled**
- **Triamp or Biamp Operation**



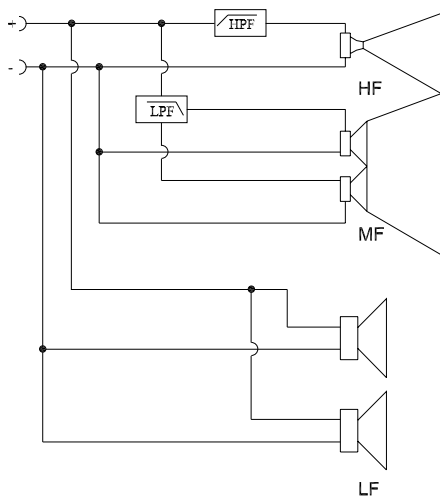
General Description:

The Electro-Voice Variplex is designed to provide perfect coverage, wide bandwidth, and extended dynamic range in today's Cinemas. It uses second-generation asymmetric directed coverage to uniformly cover every seat in stadium or traditional theaters. This design greatly reduces energy wasted by focusing it on the audience, not walls and ceiling where it can be reflected to degrade clarity. Ring-Mode Decoupling (RMD™) incorporated into the transducers improves system transient detail that further refines system sound quality at all SPLs. The Variplex's 3-way design allows each frequency range's transducers to be optimized for low distortion, high power handling, and smooth frequency response. Two high power 8-inch midrange transducers clearly and accurately reproduce dialog, music and effects in detail. A neodymium 3-inch diameter compression driver with titanium diaphragm delivers high level response past 16 kHz. Careful attention to crossover and waveguide design further enhances coverage and response. Variplex's asymmetric coverage directs energy for uniform coverage from front to rear, simply placing the aiming axis at the row two thirds from the front provides each seat exceptional sound. The easily adjustable bracket provides aiming versatility for difficult installations. The product line of EV cinema speakers includes subwoofers and surround speakers that provide excellent performance to match the screen system.

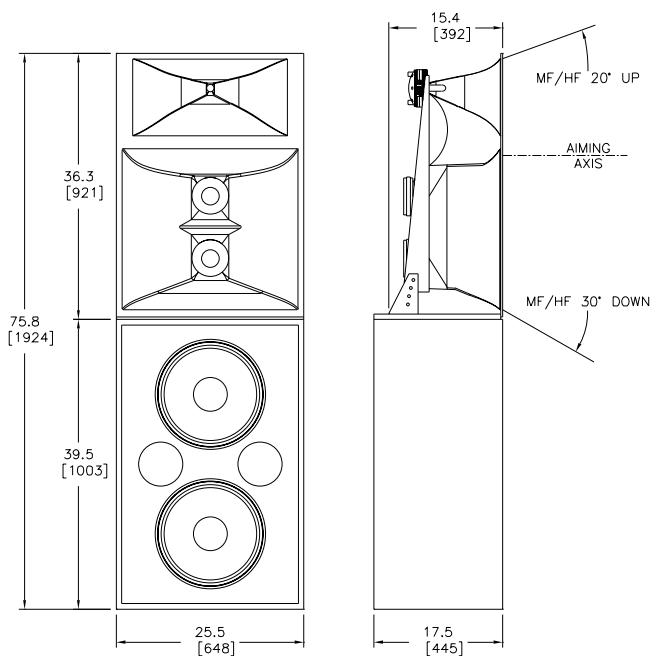
Technical Specifications:

Freq. Range (-10 dB):	34Hz - 18kHz
Freq. Response(+/-3dB):	41Hz - 16kHz
System Sensitivity:	LF: 101 dB, MF/HF: 109 dB
Max calculated SPL:	LF: 136 dB, MF/HF: 141 dB
Power Ratings (Cont.):	LF: 800W, MF: 400W, HF: 75W
Power Ratings (Peak):	LF: 3200W, MF: 1600W, HF: 300W
Horizontal Coverage:	90°
Vertical Coverage:	50° (+20°, -30°)
Bracket Tilt:	5° Down, 15° Up
Directivity Index (DI):	10
Recommended Crossover:	500Hz; 24dB LR
Components:	
TL606ST	
Power Rating:	800W (3200W Peak) (1000W Recommended Amplifier)
Input Connectors:	Screw terminal barrier strip
Input Impedance:	4 Ohms
Transducers:	2 x DL15ST, 15" Dia.
Dimensions (H x W x D):	39.5" x 25.5" x 17.5" (1003mm x 648mm x 445mm)
Net Weight:	110 lbs (49.9 kg)
Shipping Weight:	120 lbs (54.4 kg)
HPK Variplex II	
Power Rating:	MF/HF 400W/75W (1600W/300W Peak) (600W Recommended Amplifier)
Input Connectors:	Screw terminal barrier strip
Input Impedance:	4 Ohms
Transducers:	2 x EV8-DH, 8" Dia., ND6-8
Dimensions (H x W x D):	36.3" x 25.5" x 15.4" (921mm x 648mm x 392mm)
Net Weight:	65 lbs (29.5 kg)
Shipping Weight:	75 lbs (34.1 kg)

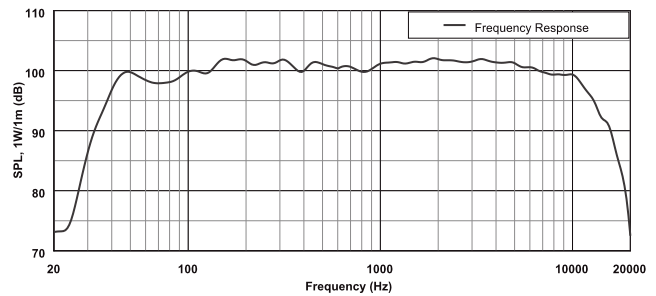
Block Diagram:



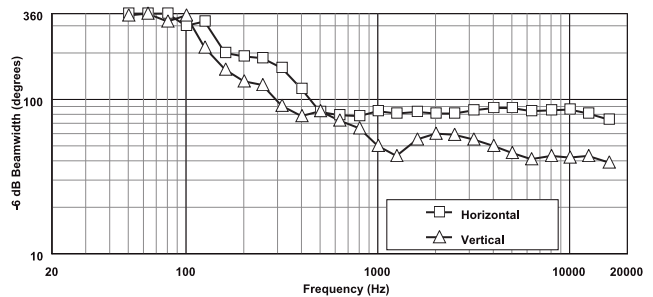
Dimension Drawings:



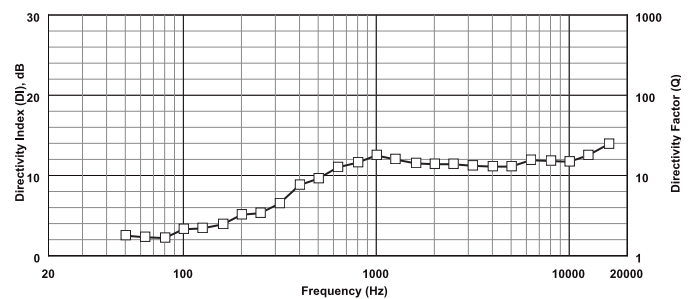
Frequency Response:



Beamwidth:



Directivity:



Performance Match:

- Dx38 Digital Processor
- TL440 Subwoofer
- TL880 Subwoofer
- TL440M Subwoofer
- TL880DM Subwoofer
- CPS Series Amplifiers
- SL10-2V Surround Speaker
- SL12-2V Surround Speaker
- SL6.2M Surround Speaker

EV Electro-Voice®

12000 Portland Avenue South, Burnsville, MN 55337
Phone: 952/884-4051, Fax: 952/884-0043

www.electrovoice.com

© Telex Communications, Inc. 4/2003

Part Number 38110-172 Rev A

U.S.A. and Canada only. For customer orders, contact Customer Service at:

800/392-3497 Fax: 800/955-6831

Europe, Africa, and Middle East only. For customer orders, contact Customer Service at:

+ 49 9421-706 0 Fax: + 49 9421-706 265

Other International locations. For customer orders, contact Customer Service at:

+ 1 952 884-4051 Fax: + 1 952 736-4212

For warranty repair or service information, contact the Service Repair department at:

800/685-2606

For technical assistance, contact Technical Support at: 866/78AUDIO

Specifications subject to change without notice.