



TMK Series

The Electro-Voice® TMK Truss Mount Kits are accessories that are designed to suspend Electro-Voice loudspeakers to a truss. The bracket allows the speaker to be rotated in both the horizontal and vertical planes for maximum versatility (see Figure 1). There are different suspension kits, depending on the loudspeaker that is being suspended, as shown in the table below:

TMK-PX Kit (Part Number KIT000006-001) Used With: PX1122M, PX1152M, Plasma P1		
Includes Model	Part Number	Quantity
TCA-1 Truss Clamp Adaptor	ACC000012-001	1
VSA-1 Vertical Strong-Arm Mount	ACC000007-001	1
TMK-ZX Kit (Part Number KIT000007-001) Used With: ZX4, ZX5		
Includes Model	Part Number	Quantity
TCA-1 Truss Clamp Adaptor	ACC000012-001	1
VSA-1 Vertical Strong-Arm Mount	ACC000007-001	1
HA-5 Handle Mount Adapter	301811-001	1
TMK-ZX3 Kit (Part Number KIT000023-001) Used With: ZX3		
Includes Model	Part Number	Quantity
TCA-1 Truss Clamp Adaptor	ACC000012-001	1
VSA-1 Vertical Strong-Arm Mount	ACC000007-001	1
HA-3 Handle Mount Adapter	ACC000033-001	1

Assembling TCA-1 to VSA-1 (all Speakers)

Remove the short 1/2" bolt and washer from TCA-1. The short bolt and washer are not needed for installation. Mount the TCA-1 to VSA-1 in the desired horizontal position, using the long 1/2" bolt, flat washer, and lockwasher (see Figure 2).

WARNING: Suspending any object is potentially dangerous and should only be attempted by individuals who have a thorough knowledge of the techniques and regulations of rigging objects overhead. Electro-Voice® strongly recommends that all speakers be suspended taking into account all current national, federal, state and local regulations. It is the responsibility of the installer to ensure that all speakers are safely installed in accordance with all such regulations. When speakers are suspended, Electro-Voice® strongly recommends that the system be inspected at least once a year. If any sign of weakness or damage is detected, remedial action should be taken immediately. The user is responsible for making sure that the truss, and any additional hardware used, is capable of supporting the loudspeaker. Any hardware used to suspend a loudspeaker that is not associated with Electro-Voice® is the responsibility of others.

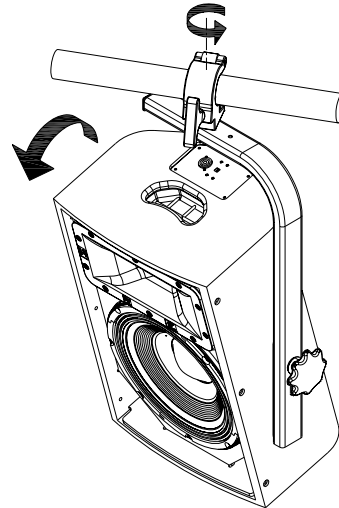


Figure 1: Rotating and Tilting Features of the TMK Series Kits

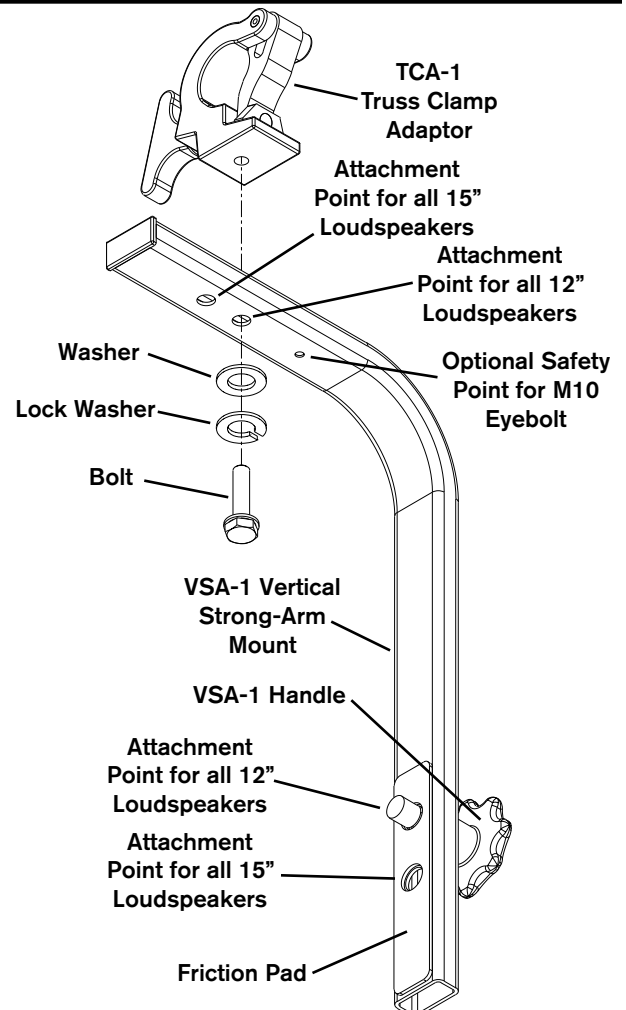


Figure 2: Assembling the TCA-1 to the VSA-1

Adjusting the Loudspeaker Attachment Point (all Speakers)

Move the threaded shaft to the correct hole by pulling back on the handle and sliding the shaft in the steel frame. The upper point is used for 12" Loudspeakers and the lower point is used for 15" Loudspeakers (see Figure 3).

*Note: For ZX Series loudspeakers, attach the HA-3 or HA-5 adaptor to the loudspeaker before proceeding.

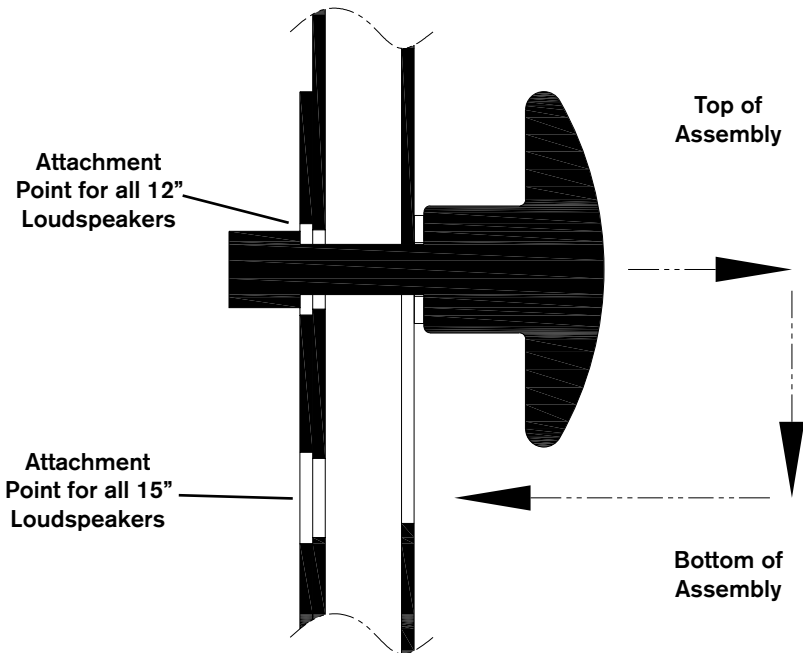


Figure 3: Adjusting the Loudspeaker Attachment Point on the VSA-1

Installing the HA-3 or HA-5 (ZX-Series Loudspeakers Only)

Remove the M10 bolts that secure the handle to the loudspeaker, and fasten the HA-3 or HA-5 bracket in its place (see Figure 4).

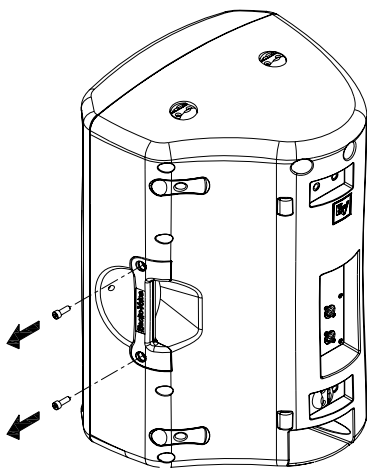


Figure 4a: Removing the Bolts Securing the Handle

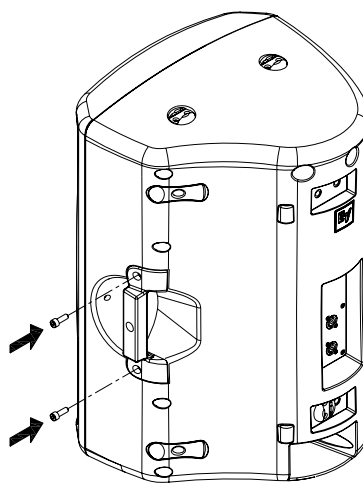


Figure 4b: Attaching the HA-3 or HA-5 to the ZX Loudspeaker

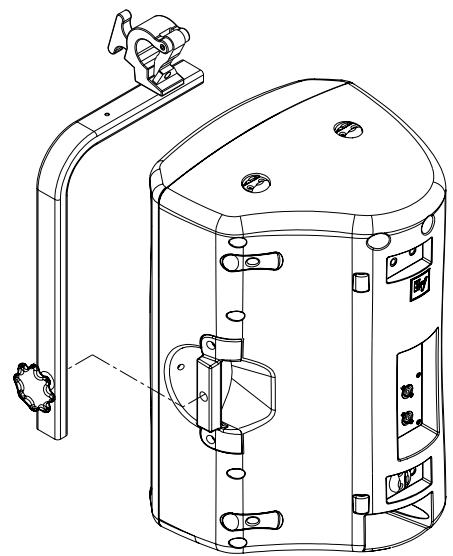


Figure 4c: Attaching the VSA-1 to the HA-3 or HA-5 Handle Adaptor

Attaching VSA-1 to Loudspeaker (all Speakers)

Thread the VSA-1 to the loudspeaker by using the threaded bracket (PX1122M, PX1152M, Plasma P1) or HA-3 or HA-5 adaptor (ZX Series) on the right side of the enclosure. Rotate the loudspeaker to the desired vertical tilt position, and torque the threaded stud to the enclosure using the handle (see Figure 5).

WARNING: The rubber pad acts as a locking mechanism for the threaded shaft. If enough torque is not applied to the handle, vibrations from the loudspeaker may loosen the shaft over time. The user should regularly inspect the shaft to ensure that the VSA-1 has not loosened from the loudspeaker.

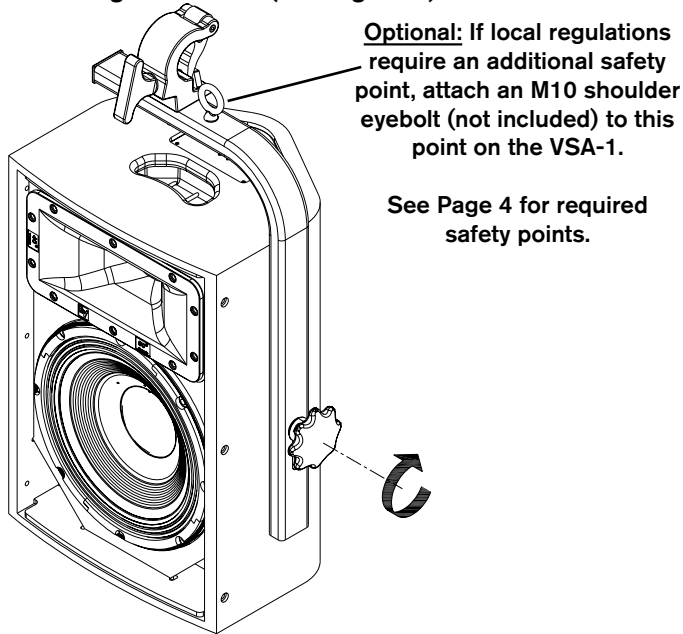


Figure 5a: Tightening the Attachment Point on the VSA-1 to a PX-Series Loudspeaker

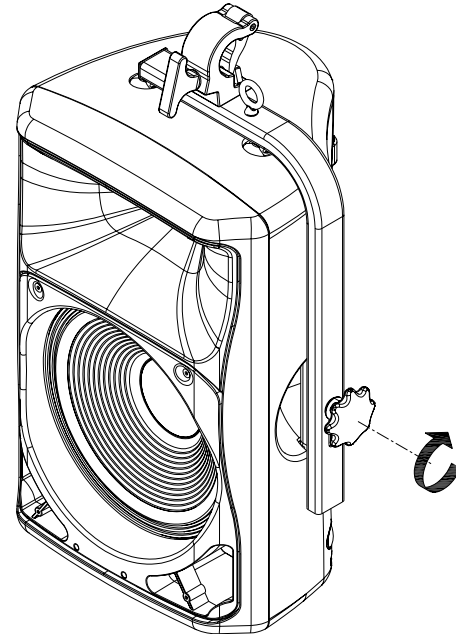


Figure 5b: Tightening the Attachment Point on the VSA-1 to a ZX-Series Loudspeaker

Attaching Truss Mount and Speaker Assembly to Truss (all Speakers)

Loosen the clamping fixture on the TCA-1 and open the clamp. Attach the TCA-1 (including the strong arm and loudspeaker) to the truss by sliding it past the clamping fixture. Adjust the clamp so it is behind the clamping fixture, and tighten the handle (see Figure 6).

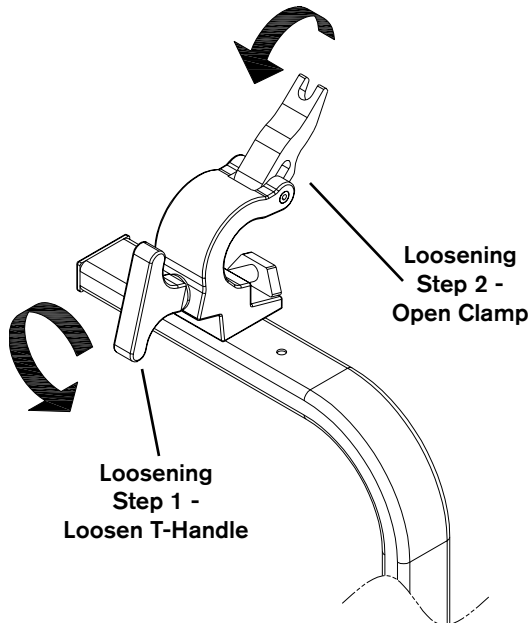


Figure 6a: Loosening Clamping Feature on Truss Mount

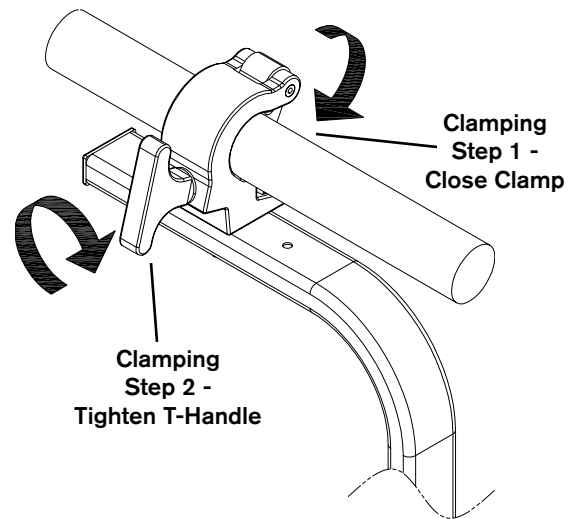


Figure 6b: Attaching Truss Mount and Loudspeaker Assembly to Truss

Attaching Safety Point to Speaker (PX1122M and PX1152M)

For PX1122M and PX1152M Only: Remove the M10 flat head bolt from the loudspeaker, and replace with a forged steel shoulder eyebolt with a minimum safe working load of 100 lbs. Attach a safety cable from the eyebolt to the truss. The eyebolt and cable are not included with the accessory and are the responsibility of the user. The cable should have no more than 2" of slack (see Figure 7).

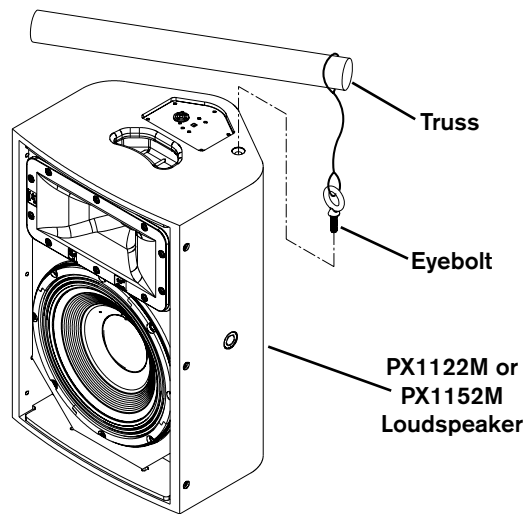


Figure 7: Attaching a Safety Point to a Phoenix Series Loudspeaker (VSA-1 Not Shown for Clarity)

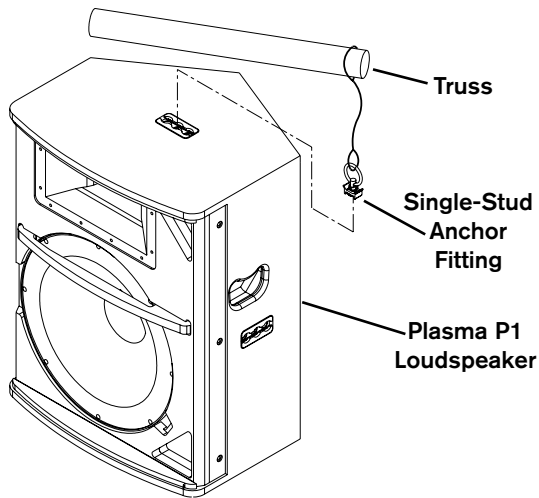


Figure 8: Attaching a Safety Point to a Plasma P1 Loudspeaker (VSA-1 Not Shown for Clarity)

Attaching Safety Point to Speaker (Plasma P1)

For Plasma P1 Only: Attach a single stud anchor fitting with a minimum safe working load limit of 100 lbs. to the top L-track. Connect a cable between the anchor fitting and truss with a maximum of 2" of slack. The anchor fitting and cable are not included with the accessory and are the responsibility of the user (see Figure 8).

Attaching Safety Point to Speaker (ZX Series)

For ZX Series Only: Attach a single stud anchor fitting with a minimum safe working load limit of 100 lbs. to the top L-track. Connect a cable between the anchor fitting and truss with a maximum of 2" of slack. The anchor fitting and cable are not included with the accessory and are the responsibility of the user (see Figure 9).

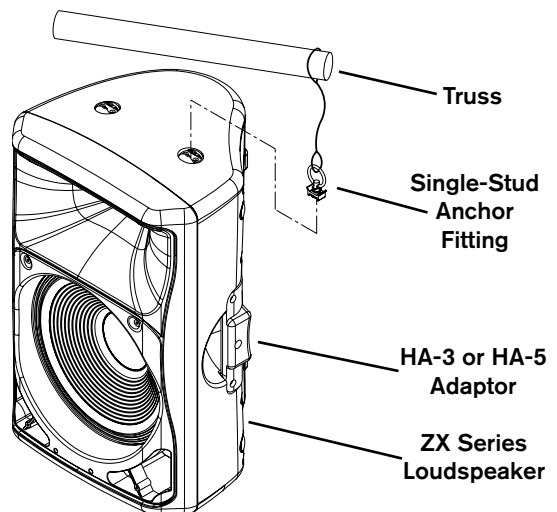


Figure 9: Attaching a Safety Point to a ZX Series Loudspeaker (VSA-1 Not Shown for Clarity)

Electro-Voice®

12000 Portland Avenue South, Burnsville, MN 55337
Phone: 952/884-4051, Fax: 952/884-0043

www.electrovoice.com

© Bosch Communications Systems 03/2008
Part Number LIT000069 Rev B

U.S.A. and Canada only. For customer orders, contact Customer Service at:
800/392-3497 Fax: 800/955-6831

Europe, Africa, and Middle East only. For customer orders, contact Customer Service at:
+ 49 9421-706 0 Fax: + 49 9421-706 265

Other International locations. For customer orders, Contact Customer Service at:
+ 1 952 884-4051 Fax: + 1 952 887-9212

For warranty repair or service information, contact the Service Repair department at:
800/685-2606

For technical assistance, contact Technical Support at: 866/78AUDIO

Specifications subject to change without notice.