

Sx600

Sx600PI/Sx600PIX
High Output Indoor/Outdoor
Speaker System



Key Features:

- Very Lightweight – 80 lbs (36.3 kg)
- Easy, Versatile, SuperSAM™ Mounting System
- Two Element Vertical Line Array
- Very High Sensitivity, 105dB 1w/1m (139dB Peak SPL)
- 600 Watt Power Handling
- All Weather IEC 529 IP 44 & Mil Spec 810 Environmental Specs
- Available 600 Watt Internal Transformer (Sx600PIX)
- High Intelligibility



General Description:

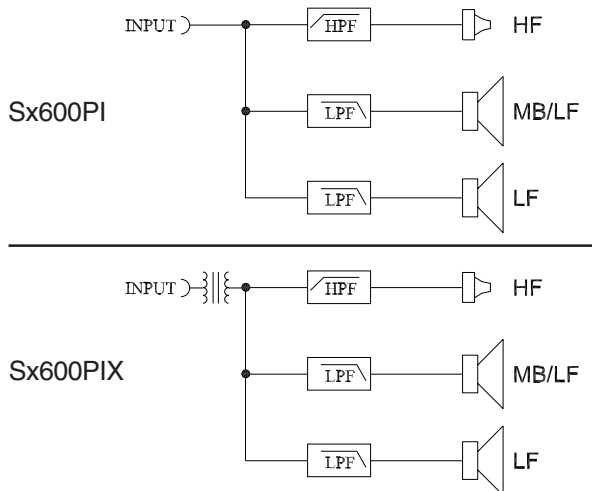
The Electro-Voice® Sx600PI and Sx600PIX are higher power extensions of the popular Sx-series of weather-resistant indoor/outdoor speaker systems. The Sx600 series features a dual 12-inch two-element vertical array based on the powerful Neodymium woofer developed for X-Array. Mid-bass and low frequency energy is augmented by an overlapping DL series woofer to produce vertical pattern control and intelligibility superior to conventional horn systems. The HF section features the DH2t compression driver coupled to a molded-in 65° x 65° Constant Directivity horn using EV's unique Varipath throat geometry. An EV-exclusive SuperSAM™ mounting system allows 60 degrees of vertical adjustment and 180 degrees of horizontal pan with simple adjustment. The molded polymer enclosure combined with aluminum & neodymium components provide a lightweight, easy to handle system. A multilayer stainless steel grille protects against rain, sprayed water, and dust to IEC 529 IP 44 Mil Spec 810 humidity, salt spray, and UV specifications.

The Sx600PIX features a special internally mounted 600 Watt line transformer for operation on 70, 100, 140 and 200 volt distributed line systems. The Sx600 series is ideally suited for applications requiring high intelligibility sound at high SPL's in applications such as arenas, stadiums and race tracks.

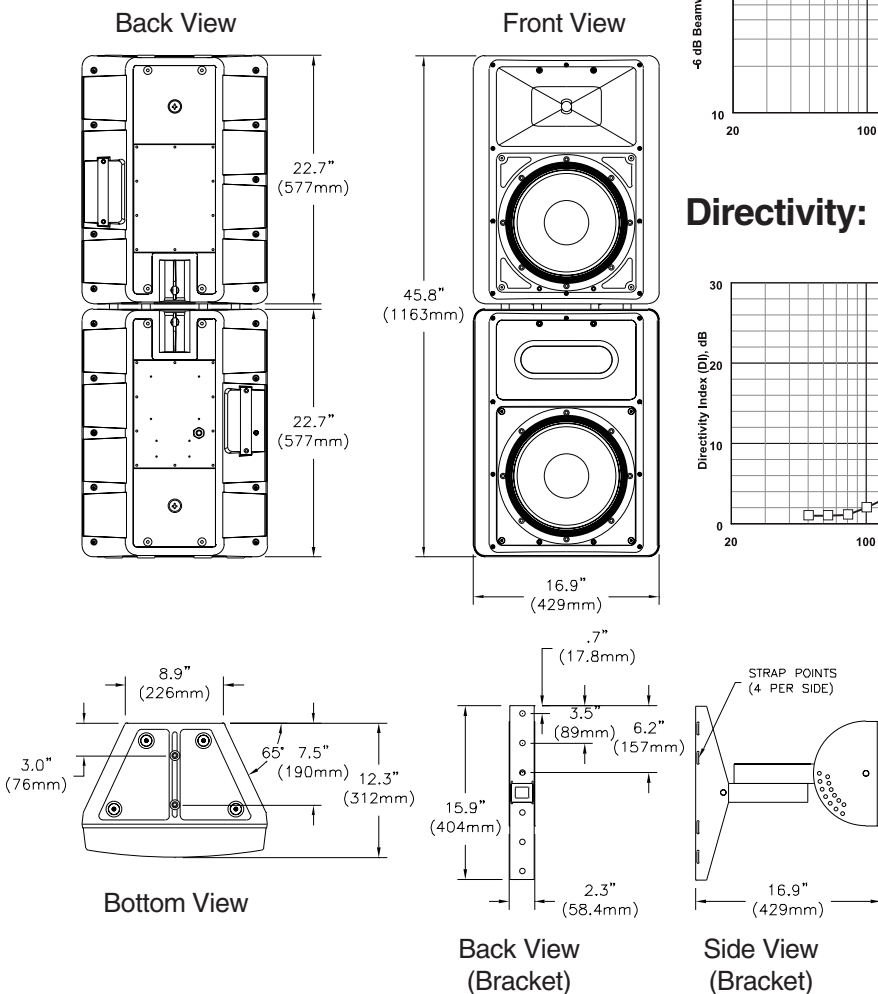
Technical Specifications:

Freq. Range (-3 dB):	100 Hz - 14 kHz
Freq. Range (-10 dB):	70 Hz - 16 kHz
Max Calculated SPL:	139 dB
Horizontal Coverage:	65° Nominal
Vertical Coverage:	65° Nominal
Power Handling:	600 Watts Cont., 2400 Watts Peak
Sensitivity (SPL 1W/1m):	105 dB
Impedance:	4 ohms (Nominal), 3.5 ohms (Min.)
Crossover Frequency:	1.8 kHz, LF/MB Overlap: 200-600 Hz
Recommended Filtering:	90 Hz Highpass Filter, @ Q=1.6
Recommended Amplifier:	EV CPS Series
Connectors:	SJO Cable with Gland Nut
Enclosure Material:	High Density Polymer
"PIX" Version Wattage Taps:	70V - 75, 150, 300, 600W 100V - 150, 300, 600W 140V - 300, 600W 200V - 600W
Mounting:	SuperSAM™, 5° Increments over 60° Vertical, 180° Horizontal, can be Bolted or Strapped
Grille:	Powder coated Stainless Steel
Weather Resistance:	IEC 529 IP 44, Mil Spec 810 humidity, salt spray, temperature, and UV
Dim (H x W x D):	45.8" x 16.9" x 12.3" (1163mm x 429mm x 312mm)
Net Weight (with Bracket):	Sx600PI - 80.0 lbs (36.3 kg) Sx600PIX - 98.0 lbs (44.5 kg)
Shipping Weight:	Sx600PI - 92.0 lbs (41.8 kg) Sx600PIX - 110.0 lbs (50.0 kg)

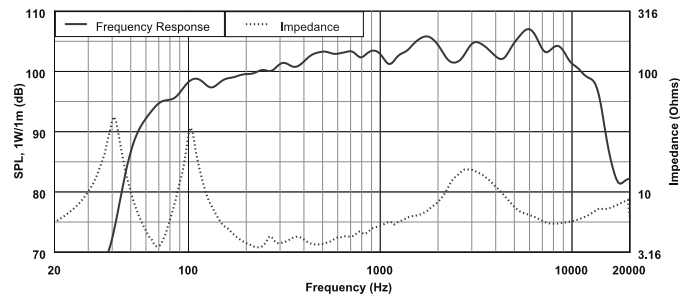
Block Diagrams:



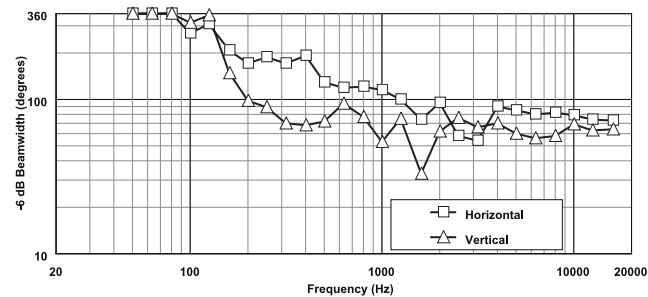
Dimension Drawings:



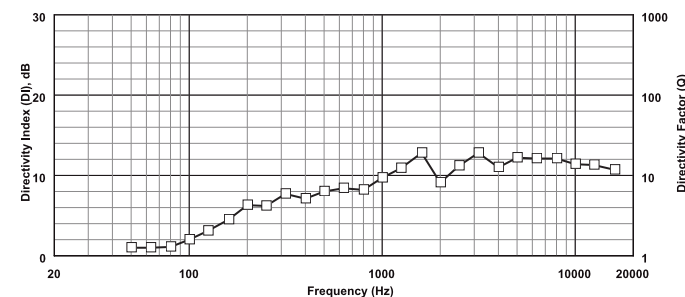
Frequency Response & Impedance:



Beamwidth:



Directivity:



Performance Match:

- Dx38 Loudspeaker Controller
- CPS2(T) Power Amplifier
- CPS3 Power Amplifier
- CPS4 Power Amplifier

Sx600PI/Sx600PIX Part Numbers

- Sx600PI -- 301323-001
- Sx600PIX -- 301322-001



12000 Portland Avenue South, Burnsville, MN 55337
Phone: 952/884-4051, Fax: 952/884-0043

www.electrovoice.com

© Telex Communications, Inc. 3/2003

Part Number 38110-177 Rev D

U.S.A. and Canada only. For customer orders, contact Customer Service at:

800/392-3497 Fax: 800/955-6831

Europe, Africa, and Middle East only. For customer orders, contact Customer Service at:

+ 49 9421-706 0 Fax: + 49 9421-706 265

Other International locations. For customer orders, contact Customer Service at:

+ 1 952 884-4051 Fax: + 1 952 736-4212

For warranty repair or service information, contact the Service Repair department at:

800/685-2606

For technical assistance, contact Technical Support at: 866/78AUDIO

Specifications subject to change without notice.