

3-Way Cinema System

Variplex Matinee™
 Passive or Bi-Amplified
 Variplex M 3-Way
 Screen Channel Speaker



Step Up To
 ElectroVoice®

Key Features:

- **3-Way Design for Intelligibility and Clarity**
- **Asymmetric Directed Coverage™ Technology for even coverage from simple installation**
- **Very uniform frequency response**
- **Digital Dynamic Capable™, wide dynamic range**
- **Compact and Fully assembled**
- **Passive or Biamp Operation**



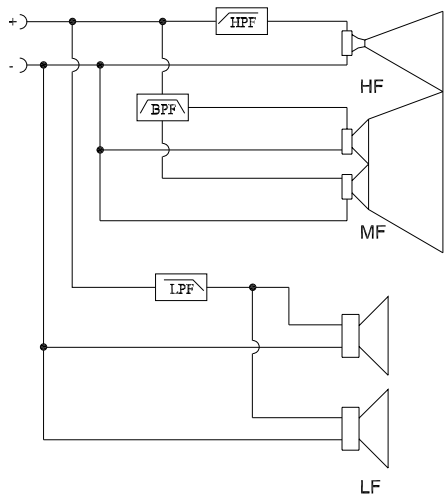
General Description:

The Electro-Voice Variplex Matinee is designed to provide perfect coverage, wide bandwidth, and extended dynamic range in today's Cinemas. It uses second-generation asymmetric directed coverage to uniformly cover every seat in stadium or traditional theaters. This design greatly reduces energy wasted by focusing it on the audience, not walls and ceiling where it can be reflected to degrade clarity. Ring-Mode Decoupling (RMD™) incorporated into the transducers improves system transient detail that further refines system sound quality. The Variplex M's 3-way design allows each frequency range's transducers to be optimized for low distortion, high power handling, and smooth frequency response. Two high power 8-inch midrange transducers clearly and accurately reproduce dialog, music and effects in detail. A 2 inch diameter compression driver with titanium diaphragm delivers high level response past 18 kHz. Careful attention to crossover and waveguide design further enhances coverage and response. Variplex's asymmetric coverage directs energy for uniform coverage from front to rear, simply placing the aiming axis at the row two thirds from the front provides each seat exceptional sound. The easily adjustable bracket provides aiming versatility for difficult installations. The Variplex M can be used in passive mode using a single amplifier channel, or in biamp mode. The Matinee product line includes subwoofers and surrounds speakers that provide excellent performance to match the screen system.

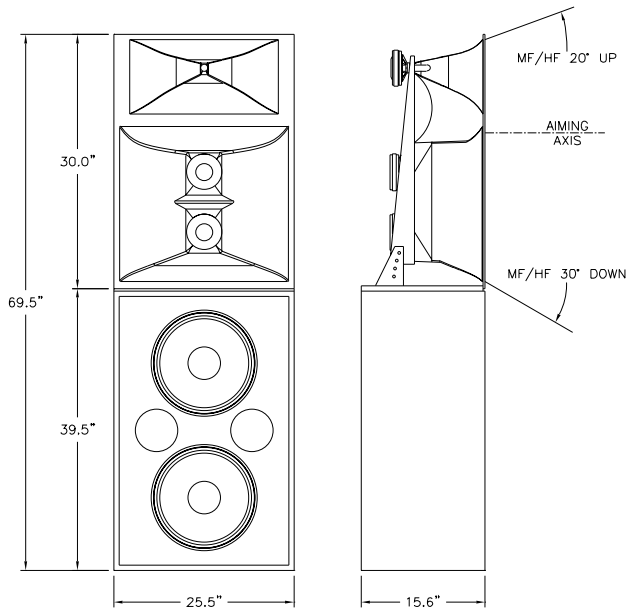
Technical Specifications:

Freq. Range (-10 dB):	34Hz - 18kHz
Freq. Response(+/-3dB):	45Hz - 16kHz
System Sensitivity:	104 dB, 1W, 1m
Max calculated SPL:	133 dB
Power Ratings:	LF: 500W, MF: 300W, HF: 60W
Horizontal Coverage:	90°
Vertical Coverage:	50° (+20°, -30°)
Bracket Tilt:	5° Down, 15° Up
Directivity Index (DI):	10
Recommended Crossover:	500Hz; 24dB LR
Components:	
TL606M	
Power Rating:	500W (2000W Peak) (600W Recommended Amplifier)
Input Connectors:	Screw terminal barrier strip
Input Impedance:	4 Ohms
Transducers:	2 x EV15-G, 15" Dia.
Dimensions (H x W x D):	39.5" x 25.5" x 15.6" (1003mm x 648mm x396mm)
Net Weight:	100 lbs (45.4 kg)
Shipping Weight:	110 lbs (49.9 kg)
MF/HF Assembly	
Power Rating:	MF/HF 300W/60W (1200W/240W Peak) (400W Recommended Amplifier)
Input Connectors:	Screw terminal barrier strip
Input Impedance:	4 Ohms
Transducers:	2 x EV8-D, 8" Dia., DH2T
Dimensions (H x W x D):	30.0" x 25.5" x 15.6" (762mm x 648mm x396mm)
Net Weight:	60 lbs (27.2 kg)
Shipping Weight:	70 lbs (31.7 kg)

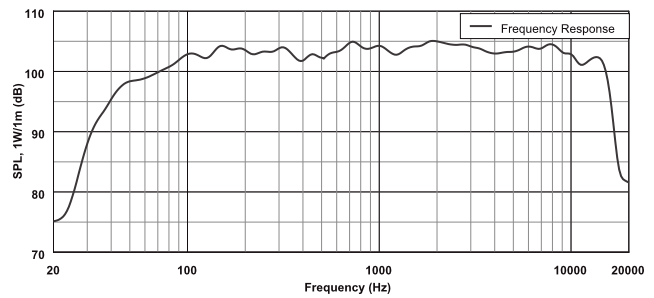
Block Diagram:



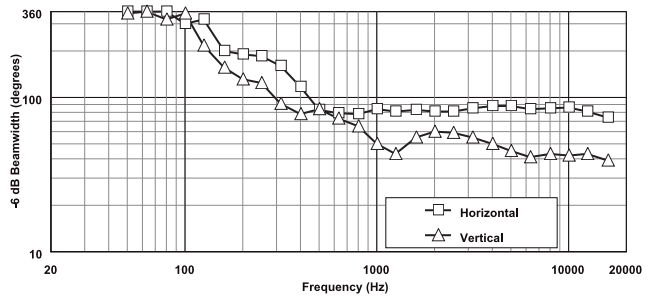
Dimension Drawings:



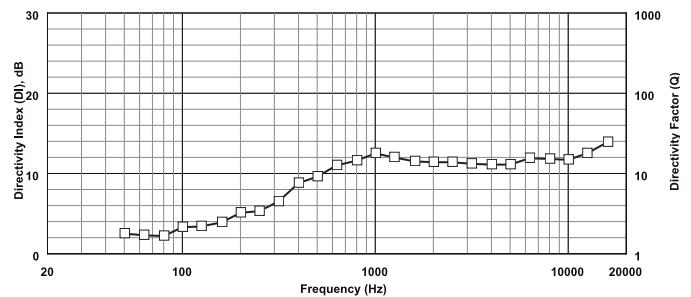
Frequency Response:



Beamwidth:



Directivity:



Performance Match:

- Dx38 Digital Processor
- TL440M Subwoofer
- TL880DM Subwoofer
- CPS Series Amplifiers
- SL6.2M Surround Speaker

EV Electro-Voice®

12000 Portland Avenue South, Burnsville, MN 55337
Phone: 952/884-4051, Fax: 952/884-0043

www.electrovoice.com

© Telex Communications, Inc. 8/2002
Part Number 38110-110 Rev B

U.S.A. and Canada only. For customer orders, contact Customer Service at:

800/392-3497 Fax: 800/955-6831

Europe, Africa, and Middle East only. For customer orders, contact Customer Service at:

+ 49 9421-706 0 Fax: + 49 9421-706 265

Other International locations. For customer orders, contact Customer Service at:

+ 1 952 884-4051 Fax: + 1 952 736-4212

For warranty repair or service information, contact the Service Repair department at:

800/685-2606

For technical assistance, contact Technical Support at: 866/78AUDIO

Specifications subject to change without notice.