

Model 649B
Miniature Lavalier
Dynamic Microphone



Key Features:

- **Omnidirectional Pattern**
- **80-10,000 Hz Frequency Response**
- **9.1m (30 ft) Cable**
- **Neck Cord and Belt Clip Included**



General Description:

The Electro-Voice® Model 649B miniature lavalier microphone is one of the smallest, lightest-weight, wide-range, dynamic microphones manufactured today. Originally created for TV applications, this miniature microphone can be used hand-held, mounted on a stand, or hung on the neck cord, leaving the hands of an announcer or performer free. It is excellent for audience participation, man-in-the street interviews, panel shows - wherever microphone concealment, individual mobility, or free movement of the hands is desired. No closely associated auxiliary equipment is required.

The Model 649B features the exclusive Electro-Voice Acoustalloy® diaphragm. This nonmetallic diaphragm withstands high humidity, temperature extremes, corrosive effects of salt air, and severe mechanical shocks. It is practically indestructible with normal use.

The 649B is equipped with two specially designed accessories intended to increase the usefulness and mounting convenience of the microphone: lavalier cord assembly and a belt clip. The lavalier cord assembly is supplied attached to the microphone, ready for use. Note that the flexible plastic cord adapter may be removed from the microphone, if desired, by firmly pulling it over the front of the microphone. Alternately, it may be pushed free of the microphone and allowed to slide down the cable, the neck cord being retained separately for future use. In this case, the cord adapter will be retained permanently and cannot be lost since it cannot escape from either end of the cable. (In the event the cord is misplaced, an ordinary shoestring may be employed after simply tying a knot in each end.) The belt clip, when used in conjunction with the lavalier cord assembly, provides effective control of cable placement and prevents unwanted mechanical noise from being transmitted up the cable to the microphone. After inserting the cable in the clip as shown in Figure 1, simply attach it to the belt at one side. It may also be clipped over the edge of a pocket. A protective pouch is also provided to shield the microphone from filings, airborne magnetic particles, and dust when not in use.

Technical Specifications:

Type:	Dynamic
Frequency Response:	80 Hz to 10,000 Hz
Impedance:	Lo-z (150 ohms)
Sensitivity, Open Circuit Voltage, 1 kHz:	0.36 mV/Pascal
Polar Pattern:	Omnidirectional
Diaphragm:	Acoustalloy
Magnetic Circuit:	Alnico V
Case:	High-Tensile, Lathe-Turned Aluminum
Finish:	Semigloss "Camera" Black
Dimensions:	Diameter = 19 mm (0.75 in.) Length = 57.2 mm (2.25 in.)
Net Weight:	31 g (1.1 oz.) Less Cable and Neck Cord Assembly
Accessories:	Neck Cord Assembly Belt Clip Protective Pouch

Architects' and Engineers' Specifications

The microphone shall be the Electro-Voice Model 649B or equivalent. The microphone shall be an omnidirectional, dynamic type with nonmetallic Acoustalloy® diaphragm. The microphone shall have a magnetic shield to prevent dust and magnetic particles from reaching the diaphragm. A response from 80 to 10,000 Hz shall be obtained. Line shall be balanced to ground and phased.

The sensitivity shall be 0.36 mV/Pascal. The magnetic circuit shall be a nonwelded circuit and employ Alnico V magnetic iron.

The case shall be made of high-tensile, lathe-turned aluminum. The microphone shall have a diameter of 19 mm (0.75 in.), a length of 57.2 mm (2.25 in.), and a net weight of 31 grams (1.1 oz), without cable or neck cord assembly. Finish of the microphone shall be semigloss black. A 9.1 m (30 ft), two-conductor, shielded, black synthetic rubber-jacketed cable shall be provided. The microphone shall be supplied with a neck cord assembly, belt clip and protective pouch.

Figure 1 - Dimensions:

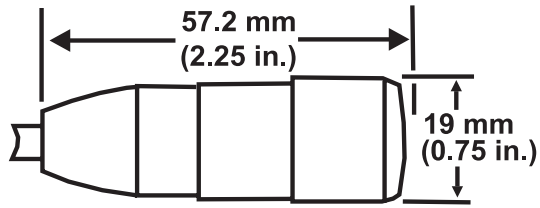
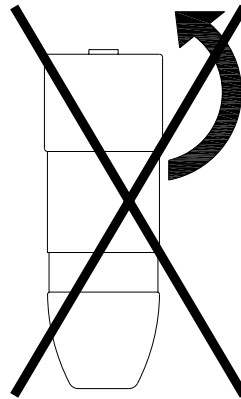
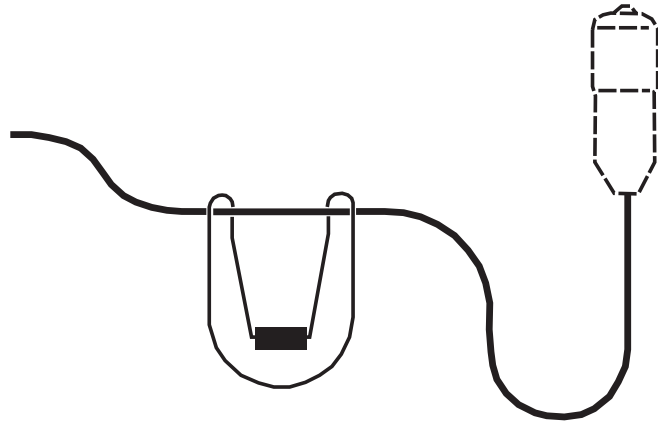
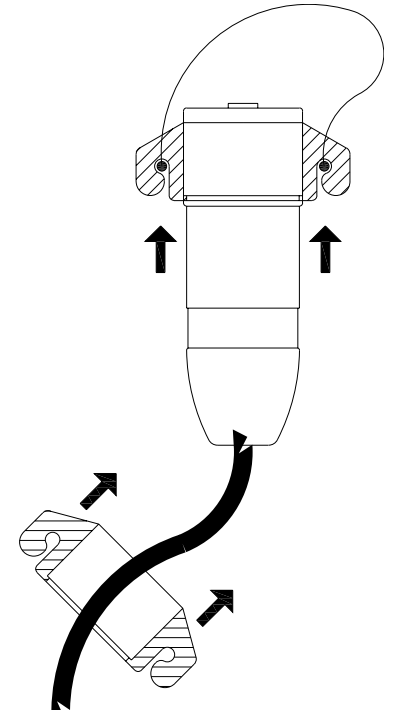


Figure 2 - Belt Clip and Neck Cord



Do not unscrew cap. Unscrewing the cap may damage microphone and will void warranty.



Neck Cord must be attached prior to wiring connector.

Figure 3 - Frequency Response:

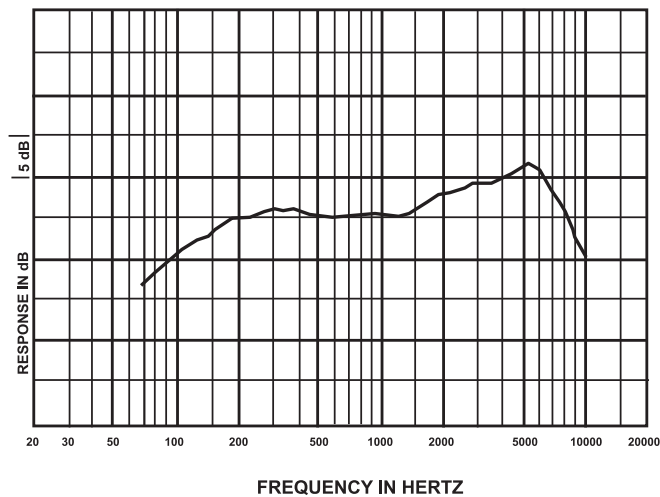
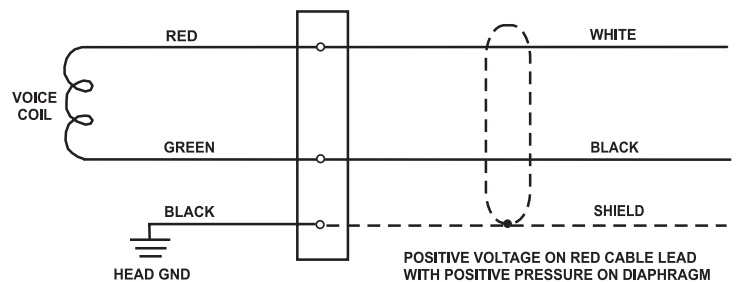


Figure 4 - Wiring Diagram:



Electro-Voice®

12000 Portland Avenue South, Burnsville, MN 55337
Phone: 952/884-4051, Fax: 952/884-0043

www.electrovoice.com

© Telex Communications, Inc. 11/2006
Part Number 534472 Rev D

U.S.A. and Canada only. For customer orders, contact Customer Service at:
800/392-3497 Fax: 800/955-6831

Europe, Africa, and Middle East only. For customer orders, contact Customer Service at:
+ 49 9421-706 0 Fax: + 49 9421-706 265

Other International locations. For customer orders, contact Customer Service at:
+ 1 952 884-4051 Fax: + 1 952 736-4212

For warranty repair or service information, contact the Service Repair department at:
800/553-5992 or 402/467-5321

For technical assistance, contact Technical Support at: 800/392-3497 or 952/736-4656

Specifications subject to change without notice.